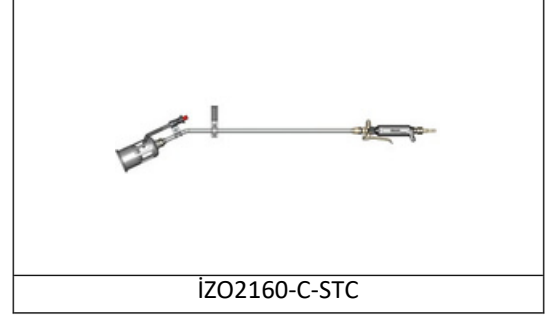


Propane Heating and Welding Torches

PRODUCT DATA



İZO7557SET-STC



İZO2160-C-STC

Information

Heating burners are designed ergonomically for different length and flame sizes by their equipment and it is presented to different industrial sectors for multi-purpose cutting processes.

Materials

Pipe: Iron
(Zinc plated)
Connections : Brass

Technical Specifications

Product	Description	Neck Length	Burner Diameter	Flame Length	Pipe Diameter	Shank Connection Size	Burner Connection Size
İZO2160-C-STC	Propane Heating and Isolation Torch (2201-2 + 3260)	20 cm	Ø51 mm	51 cm	Ø12 mm	M14x1	M12x1
İZO7557SET-STC	Propane Heating and Isolation Torch (2201-1 + 5921 + 3075 + 3357 + 5 mt. hose Ø8 mm)	40 cm	Ø51 mm	51 cm	Ø12 mm	M14x1	M12x1

Cautions

Without our company's control or information, any change shouldn't have done on shank. Please read user manual carefully before using the product.